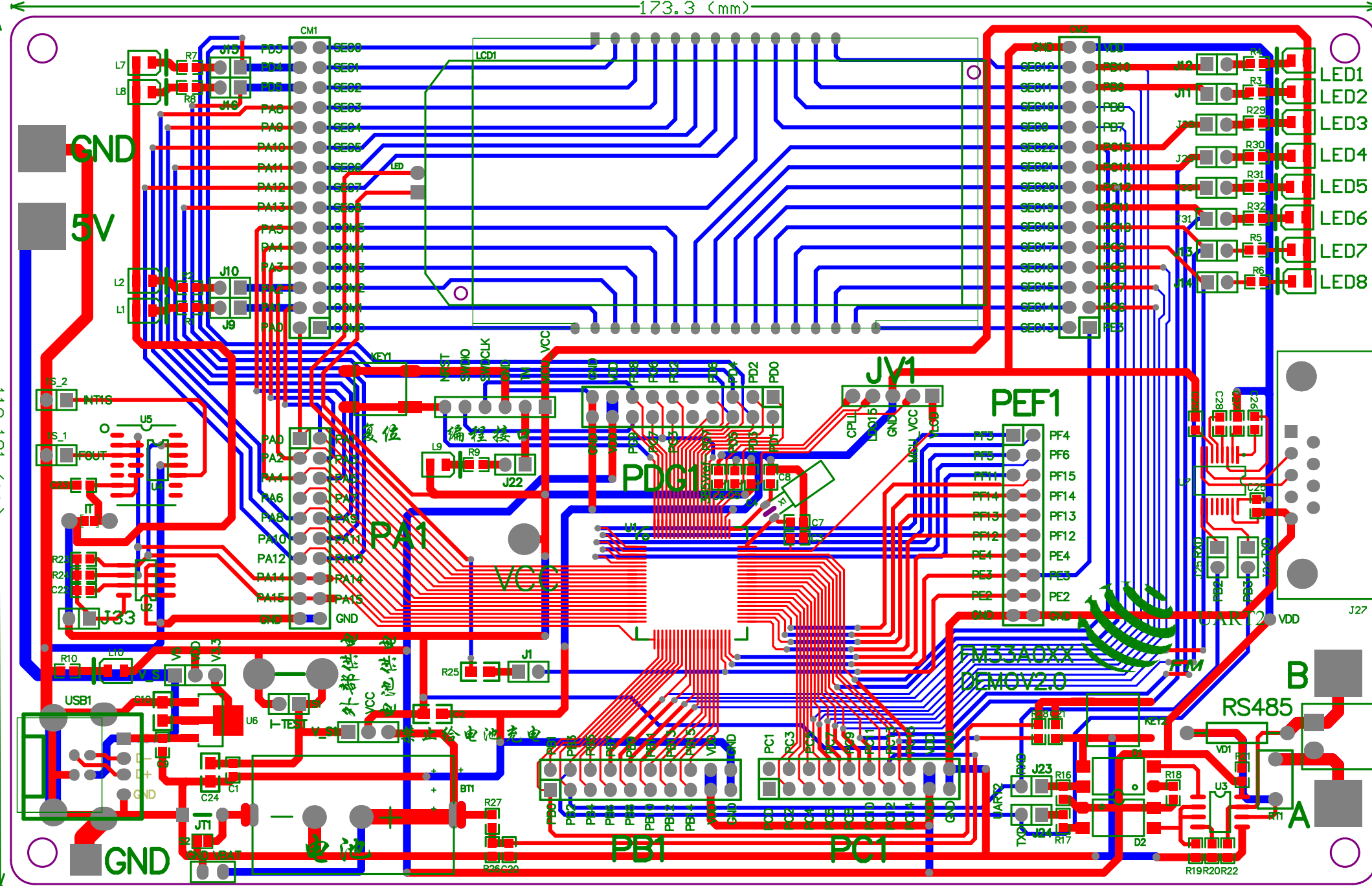


173.3 (mm)

110.101 (mm)



GND

5V

VCC

PB1

PC1

PEF1

FM33A0XX
DEMOV2.0

RS485

B

A

LED1

LED2

LED3

LED4

LED5

LED6

LED7

LED8

J27

R19R20R22

VD1

U3

R18

D2

R17

J23

R16

R15

J24

R14

R13

R12

R11

R10

R9

R8

R7

R6

R5

R4

R3

R2

R1

R0

R29

R28

R27

R26

R25

R24

R23

R22

R21

R20

R19

R18

R17

R16

R15

R14

R13

R12

R11

R10

R9

R8

R7

R6

R5

R4

R3

R2

R1

R0

R29

R28

R27

R26

R25

R24

R23

R22

R21

R20

R19

R18

R17

R16

R15

R14

R13

R12

R11

R10

R9

R8

R7

R6

R5

R4

R3

R2

R1

R0

R29

R28

R27

R26

R25

R24

R23

R22

R21

R20

R19

R18

R17

R16

R15

R14

R13

R12

R11

R10

R9

R8

R7

R6

R5

R4

R3

R2

R1

R0

R29

R28

R27

R26

R25

R24

R23

R22

R21

R20

R19

R18

R17

R16

R15

R14

R13

R12

R11

R10

R9

R8

R7

R6

R5

R4

R3

R2

R1

R0

R29

R28

R27

R26

R25

R24

R23

R22

R21

R20

R19

R18

R17

R16

R15

R14

R13

R12

R11

R10

R9

R8

R7

R6

R5

R4

R3

R2

R1

R0

R29

R28

R27

R26

R25

R24

R23

R22

R21

R20

R19

R18

R17

R16

R15

R14

R13

R12

R11

R10

R9

R8

R7

R6

R5

R4

R3

R2

R1

R0

R29

R28

R27

R26

R25

R24

R23

R22

R21

R20

R19

R18

R17

R16

R15

R14

R13

R12

R11

R10

R9

R8

R7

R6

R5

R4

R3

R2

R1

R0

R29

R28

R27

R26

R25

R24

R23

R22

R21

R20

R19

R18

R17

R16

R15

R14

R13

R12

R11

R10

R9

R8

R7

R6

R5

R4

R3

R2

R1

R0

R29

R28

R27

R26

R25

R24

R23

R22

R21

R20

R19

R18

R17

R16

R15

R14

R13

R12

R11

R10

R9

R8

R7

R6

R5

R4

R3

R2

R1

R0

R29

R28

R27

R26

R25

Comment	Description	Designator	Footprint	LibRef	Quantity
	Connector, Connector, Connector, Connector, Connector, Connector, Connector, [NoValue], Connector	1S_1, 1S_2, I-TEST, IT, J28, J29, J30, J31, J33, JT1, S1	SIP2	CON2, CON2, CON2, CON2, CON2, CON2, CON2, CON2, CON2, JUMP_S, CON2	11
		A, B	PAD1	PAD	2
	Connector	AB, J1, J2, J9, J10, J11, J12, J13, J14, J15, J16, J22, J23, J24		CON2	14
3.6V		BT1	B-CR1/2AA	BATTERY1	1
0.1u	[NoValue], [NoValue], [NoValue], [NoValue], Capacitor, [NoValue], Capacitor, [NoValue], [NoValue], [NoValue], [NoValue]	C1, C3, C5, C20, C21, C22, C23, C25, C26, C27, C28, C29	0603	CAPACITOR, CAPACITOR, CAPACITOR, CAPACITOR, CAP, C, CAP, C, C, C, C, C	12
10uF/16V		C2, C10, C24	0805	ELECTRO2	3
10u		C4	0603	CAPACITOR	1
4.7nF		C6	0603	CAPACITOR	1
20pF		C7, C8	0603	CAPACITOR	2
104	Capacitor	C9	0603	CAP	1
		CM1, CM2	IDC30	IDC30	2
2501	Optoisolater	D1, D2	TP4	OPTOISO1	2
CON2	Connector	J25, J26	SIP2	CON2	2
DB9		J27	DB9/M	DB9	1
	Connector	JATG1	SIP6	CON6	1
	Connector	JV1	SIP5	CON5	1
		KEY1, KEY2	KEY2	D_KEY	2
		L1, L2, L7, L8, L9, L10, LED1, LED2, LED3, LED4, LED5, LED6, LED7, LED8	LEDT	LED	14
JY10G29		LCD1		GV17646A	1
NC01W7131FT-Y22-XD		LED	C01W7131FT	LED	1
		PA1, PB1, PC1, PDG1, PEF1	IDC20	IDC20	5
1k		R1, R2, R3, R4, R5, R6, R7, R8, R9, R10, R16, R17, R18, R19, R20, R29, R30, R31, R32	0603	RES_S	19
20k		R21, R22	0603	RES_S	2
3k		R23, R24	0603	R	2
510R		R25	0805	R	1
2M		R26, R27	0603	R	2
300k		R28	0603	RES_S	1
30	Fuse	RT1	MZ6	FUSE1	1
	Connector	S2	NJQ2	CON2	1
FM33A048		U1	LQFP80_12X12	FM33A048U03	1
FM24C512		U2	SO-8	24LC01B	1
MAX13085		U3	SO-8	Pro51A1.TMP_74LBC1847	1
FM38025T		U4	SO-8	FM355_SOP8	1
FM38025T		U5	SOP14	FM355_SOCKET_14	1
1117_3.3V		U6	SOT-223	3PIN_POWER_REG_2	1
MAX3232E		U7	SSOP16	MAX202E	1
	USB_B_底座	USB0	USB_B	USB_A&B	1
	Connector	USB1	USB CON	CON4	1
P6KE6.8CA		VD1	AXIAL0.5	TVS	1
	Connector	V_S, V_S1	SIP3	CON3	2
32768Hz	Crystal	X1	TX_S1	CRYSTAL	1